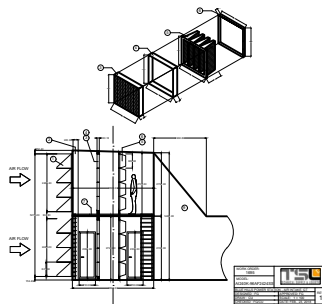
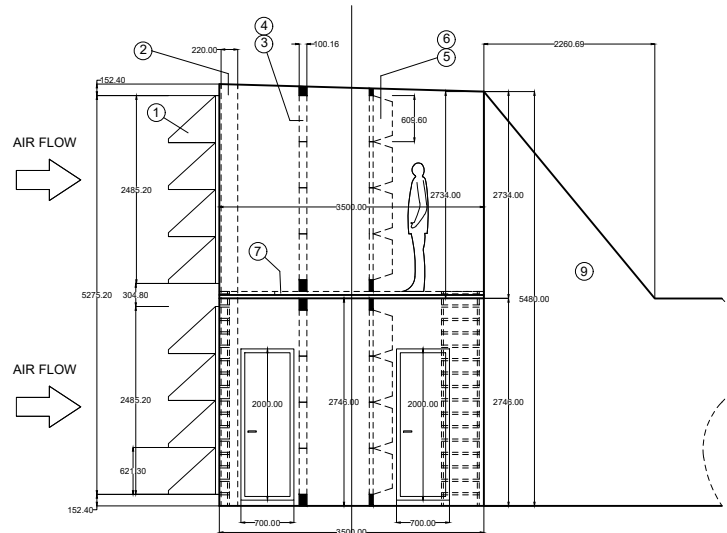
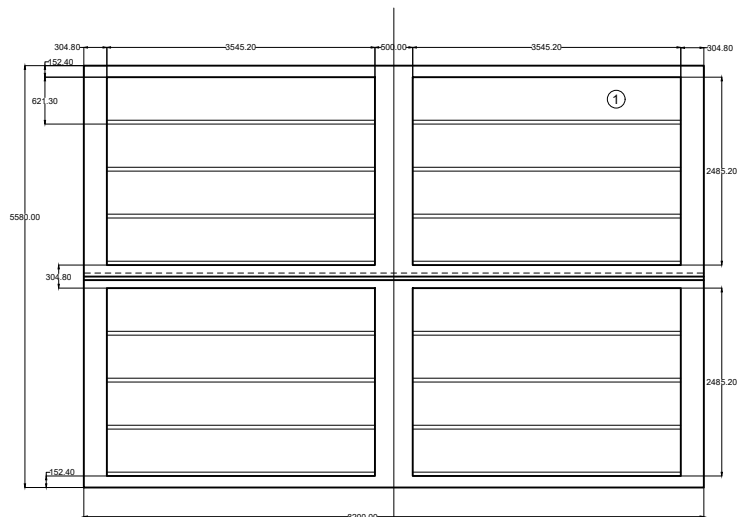
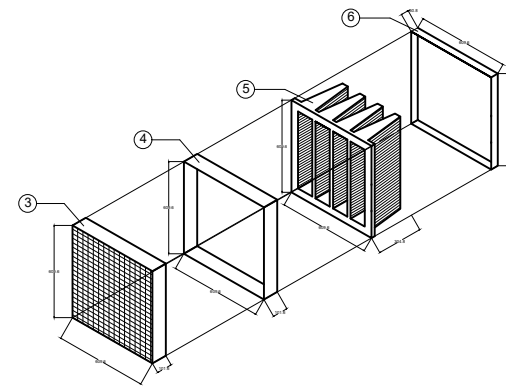
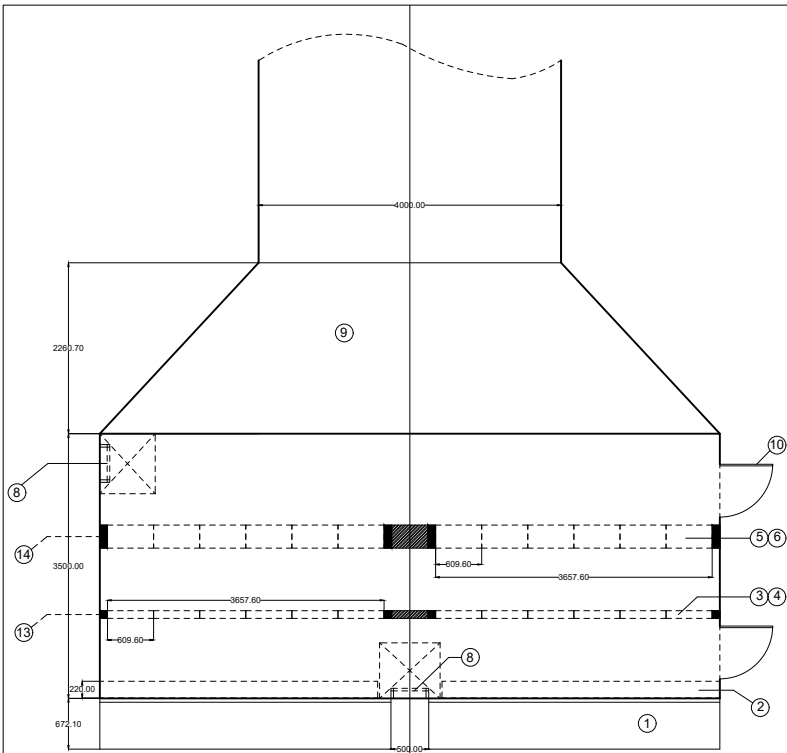



ITEM	DESCRIPTION	QTY	MATERIAL
1	Weather Hood 3545 x 2485	1	SS 316
2	ArmorPlate 3545 x 2485	1	PVC - Frames SS
3	ArmorPlate for Filter A&B (24" x 24" x 4")	2	Synthetic Media
4	Back for Pre-Filter ArmorShield	2	SS 316
5	Chemical Air Filter A&B (24" x 24" x 12")	2	Synthetic Media
6	Back for Filter DualView	2	SS 316
7	Diaphragm Clamping	2	
8	Ladder	2	
9	Penetration Gasket	1	SS 400
10	Access Drive	2	SS 400
11	Air Intake Housing A	1	SS 400
12	Air Intake Housing B	1	SS 400
13	Back Support Pre-Filter	1	SS 316
14	Back Support Frame	1	SS 316



ITEM	DESCRIPTION	QTY	MATERIAL
1	Weather Hood 3545 x 2485	4	SS 316
2	AmerVane 3545 x 2485	4	PVC - Frame SS
3	AmerShield Air Filters AAF (24" x 24" x 4 ")	96	Synthetic Media
4	Rack for Pre-Filters AmerShield	96	SS 316
5	DuraVee Air Filters AAF (24" x 24" x 12 ")	96	Synthetic Media
6	Rack for Filters DuraVee	96	SS 316
7	Walkway, Grating	2	
8	Ladder	2	
9	Transition Duct	1	SS 400
10	Access Door	2	SS 400
11	Air Intake Housing A	1	SS 400
12	Air Intake Housing B	1	SS 400
13	Rack Support Pre-Filters	4	SS 316
14	Rack Support Filters	4	SS 316



WORK ORDER: 1695	
MODEL: AI240K-96AF2424SS	
DESIGNED : FG	APPROVED: FG
DRAW : CU	SCALE: 1 = 100
CHECKED : FG/CU	DATE: FEB., 23, 2018

REV. 1