



M650H

Short range lantern for buoys and minor beacons
Typical range 2 to 3 NM

The M650H is a cost-effective, self-contained, high-performance, low-maintenance and easy-to-install solar LED marine lantern. The M650H features a replaceable battery pack that extends the service life beyond five years, reducing the total cost of ownership. Applications include: marine aids-to-navigation marking, marina lighting, dock lighting, and port lighting. To view performance in your installation location, visit www.sabik-marine.com ->Marine Selector Tool

- **Standard IALA colours**
red, green, white, yellow, blue
- **High-efficiency solar cells with bypass and blocking diode function. Maximum power point tracking (MPPT) for optimal energy collection**
- **Premium grade UV resistant, polycarbonate/ polysiloxane co-polymer body and lens material**
- **Colour-specific temperature corrected LED drivers provide consistent intensity under all operating conditions**
- **IP 68 rated. Double O-ring sealing with waterproof vent**
- **SLA battery**
- **Ventilated battery compartment**
- **Adjustable intensity and range**
- **Vertical divergence > 8° (FWHM)**
- **Programmable with On-Board User Interface, USB port, or optional wireless IR-Programmer**
- **Integrated event-log**
- **Optional ON/OFF switch**
- **Optional external charger**
- **Optional integrated GPS synchronization**



Performance

Product	Vertical divergence @ 50% peak intensity	Peak intensity red	Peak intensity green	Peak intensity yellow	Peak intensity blue	Peak intensity white
M650H	8°	31 cd	45 cd	52 cd	15 cd	60 cd

Electrical specification

Solar modules	High-efficiency cells; MPPT; 1.5 W
Battery	AGM sealed lead acid; 4.2 V / 5 Ah capacity

Main technical specification

Lens visual/Mechanical diameter	165 mm
Lens material	UV stabilized polycarbonate
Light source	High power light emitting diode (LED)
Degree of ingress protection	IP68
Installation	3 x M6 on 150 mm dia

Product code

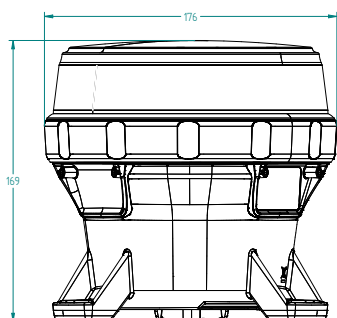
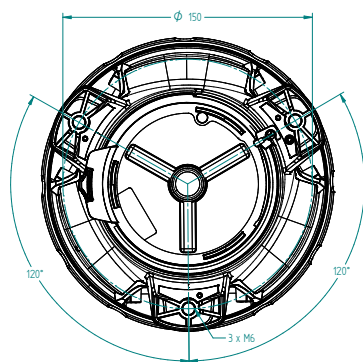
Code	Note
M650Hc-opt	
c	colour (R, G, Y , B or W)
opt	Option (S, GPS or SGPS)

Options

S	On/off switch
GPS	GPS sunchronization
SGPS	On/off switch & GPS synchronization

Accessories

57392	650 Bottom cover replacement (with switch)
57393	650 Bottom cover replacement (without switch)
57394	650 USB cable
59198	650 Bottom cover tool
59188	650 International wall charger assembly
69899	IR (Infrared) programmer
72835	650 Battery replacement pack



Dimensions

Product	Product dimensions (DxH) mm	Product weight kg	Packing dimensions (DxWxH) mm	Gross weight kg	Product dimensions (DxH) inch	Product weight lb	Packing dimensions (DxWxH) inch	Gross weight lb
M650H	176x169	1.58	406x302x203	1.9	6.92x6.65	3.48	16x8x8	4.1